



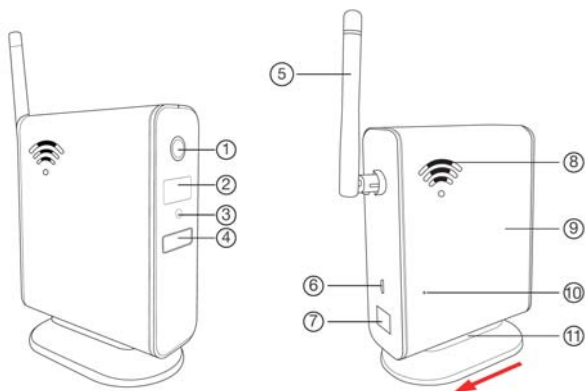
# DK-RT1-CSC

## Camera with WiFi DVR



### Product description

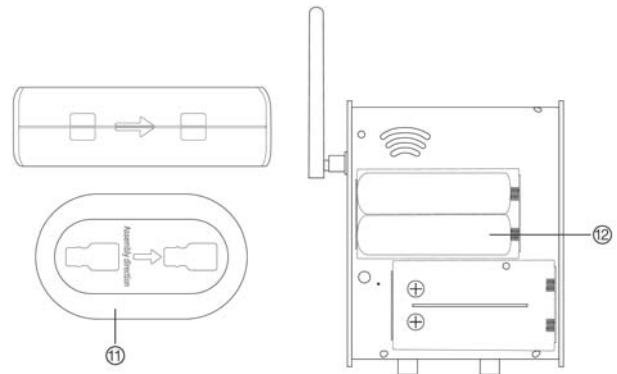
DK-RT1-CSC is a video recorder with an integrated camera hidden in a fake WiFi router.



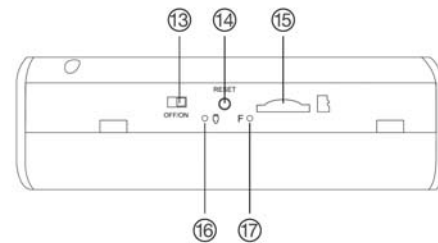
1. Target
2. Invisible infrared illuminator
3. Brightness sensor
4. PIR motion detector
5. Antenna
6. USB port for power supply
7. Fake LAN port
8. Speaker
9. Side opening for battery compartment
10. Microphone
11. Removable sliding base

### Access the battery compartment

To access the internal battery compartment, slide the router base back until it is removed. Then remove the left side of the router.



11. Base to remove
12. 2 Batteries as standard. You can possibly add 2 more batteries to be purchased separately.



13. Camera power button
14. Reset button  
Pressed 4 sec. First double beep = WiFi configuration  
Pressed 6 sec. Second double beep = Factory reset
15. Micro SD card slot
16. Charging indicator (solid red while charging | off when charging is complete.
17. WiFi status indicator  
Flashing blue = WiFi configuration mode,  
Solid blue = Waiting for wifi configuration  
Off = Wifi connected)

### Audio

This camera is equipped with a microphone for ambient listening and a built-in speaker thanks to which you can communicate with people close to the camera by pressing the app buttons.

### Infrared illuminator

This camera is equipped with an invisible infrared illuminator for night vision in absolute darkness. The illuminator turns on by itself if the ambient light does not allow for color shooting. Through the control app you can possibly force the day mode (always shooting in color) or night (always shooting B / W).

### Battery powered with PIR

The camera is able to operate with only the power supply of its own internal batteries. It is equipped with a PIR presence detector which allows it a very long autonomy. Factory supplied with 2 2600 mAh 18650 batteries each that allow up to 1 year of autonomy in Stand-by, in the absence of motion detections. If you want, you can buy two additional batteries separately to be inserted in the free slots to double the autonomy.

### Charging the battery

Before using the device, it is advisable to fully charge the battery. To do this, connect the USB port of the camera to



the computer or to a USB socket charger (not included) using the cable supplied.

The complete recharge of the 2 standard batteries takes about 12 hours depending on the initial state of charge. The charge LED lights up red during charging and turns off when charging is complete.

### Understanding how cameras work with PIR

The DK --- CSC cameras are cameras with PIR presence detectors, designed to allow a long battery life.

A camera of this type normally works in stand-by, consuming very little battery while allowing remote access via the app. When a person or animal is detected, the camera activates, takes a photo and records a video with a programmable duration. It also sends the photo with a push notification to the CamSC app.

At the end of the event, the camera returns to rest to activate a new detection if the presence of people remains.

### Power supply

Although these cameras are mainly purchased for long battery life, they can also operate on mains by connecting the USB plug to a USB cellphone power supply (not included). If you have a way to connect the appliance to the mains you will not have to worry about autonomy and the camera will always be in operation. You can leave the batteries as a backup, or remove them.

### Movie storage

The video files are stored on a micro SD card (not supplied). The movies have Full HD 1920x1080 resolution at 25 f / sec. and are saved in MP4 format with H264 compression

It is possible to use micro SD cards of any brand up to 64 GB of capacity.

1 minute of recording occupies an average of 24MB so on a 64 GB SD card you can store over 40 hours of recording. Once the memory has run out, the DVR will automatically overwrite the oldest files.

These long-range cameras do not allow continuous recording, but only short clips in case of motion detection.

To review the recorded videos you need to download them from the app as the files are not visible by inserting the memory into a computer.

### Inserting the micro SD card

The first thing to do, if you want to make recordings, is to insert the micro SD card into the appropriate slot in the DVR (15).

It is possible to use micro SD cards with capacities up to 64 GB in CLASS 10 or higher.

A class 10 SD card has a write speed of 10 MB / s. Do not use SD cards with lower speeds as they will lead to malfunctions.

Pay attention to the direction of insertion of the SD card which will slide into its seat only with the gold contacts facing the straight edge of the slot. You need to push the microSD card in until you hear the click and the hook.

To remove the SD card, push it inwards with your fingernail until you feel the release of the retaining clip, then pull the card outwards.

For the memory to be used by the camera for recording, it must be formatted as explained in the CamSC app manual.

No micro SD card is included in the package.

### Turn on the device

The camera has a power switch (13).

To install and use the product you need to use a smartphone or tablet with the free CamSC app.

### Download the CamSC app to use the camera

This camera has been developed to be remotely controlled via wifi with a mobile phone or tablet and requires to be connected to a wifi network, such as that generated by your router, or from a smartphone in HotSpot mode.

It is not possible to use these cameras without a wifi network connected to the Internet because all the functions are managed by the key server online via the web.

First you need to download the CamSC application from Google Play or Apple Store, available for free for Android and iOS. The CamSC app allows you to install and use the device.



### APP:CamSC

For the use of the CamSC APP see the specific manual which you can download from our site.



### Activate the wifi configuration mode

To use this camera you need to connect it to a wifi network. This is easily done using the CamSC app following the instructions contained in the app manual. To be able to connect the camera to your wifi through the app, you must activate the wifi configuration mode by pressing and holding the RESET button for 4 seconds, until you hear a double warning beep. Do not keep the button pressed beyond the first double beep, otherwise you will perform a factory reset as explained in the next paragraph. When the camera enters wifi configuration mode, the blue LED flashes slowly. If you see the blue LED flashing in the camera you can start the configuration operations explained in the app manual, to connect the camera to your wifi.

### Camera reset

In case of need, for example if you change your wifi network, you can perform a factory RESET by pressing the reset button for 6 seconds. The camera emits a double beep after 4 seconds (wifi configuration mode) and a second double beep after 6 seconds (reset). After rebooting the DVR will return to factory settings.

### Movie playback

To review and manage the recorded files it is necessary to download them through the app. It is not possible to manage video files by inserting the microSD card into a computer.

### Main technical characteristics

Sensor	CMOS
Maximum resolution	FullHD 1080p (1920x1080)
Frame rate	30 f / sec
Video format	MP4 (H264 compression)
Overlay	Date time (not excludable)
Functions	Motion recording Live view Push intrusion notifications
WiFi control	2.4 GHz Internet wifi connection required
Audio microphone	Incorporated
Audio speaker	Incorporated
IR illuminator	Invisible. 6 m night vision.
Video storage	About 40 hours on 64GB at 1080P
Operating temperature	-5 ° + 40 ° C
Memory	MicroSD Class 10 or higher
Memory capacity	4..64 GB